

# IRIS

Recessed LED Downlight  
with 30° tilt and 360° rotation



## Features :

**Energy Used: 7.5W;**

**Light output: 600-650lm**

**Halogen Equivalent: 50W;**

**Pot light housing or can is NOT required even for insulated ceilings;**

**Type IC rated;**

**Damp location;**

**Quick & easy to install;**

**Directional Beam, great for sloped ceiling and highlighting artwork  
with 30° tilt and 360° rotation**

**2 inch diameter light, total diameter with outer trim 3.25 inch**

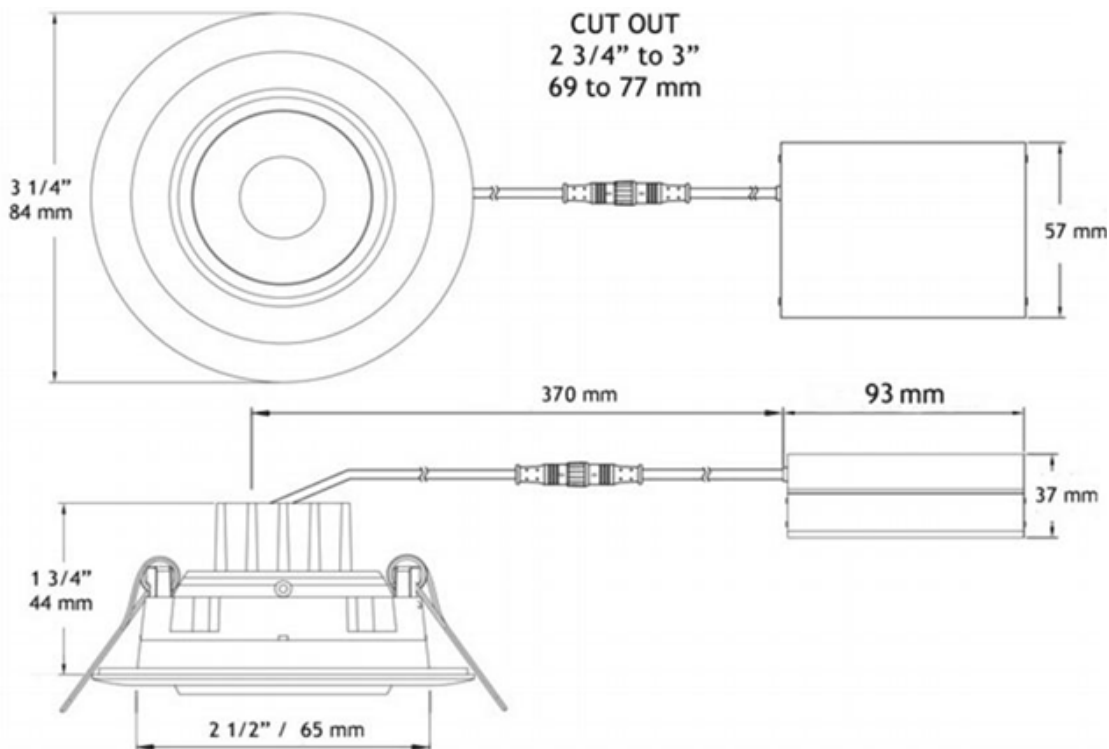
## Ordering Guide

Colour Temperature	Trim Finish
NL-IRIS- <input type="text"/>	- <input type="text"/>
30 : 3000° K 40 : 4000° K 50 : 5000° K	BK : Black BN : Brushed Nickel WH : White

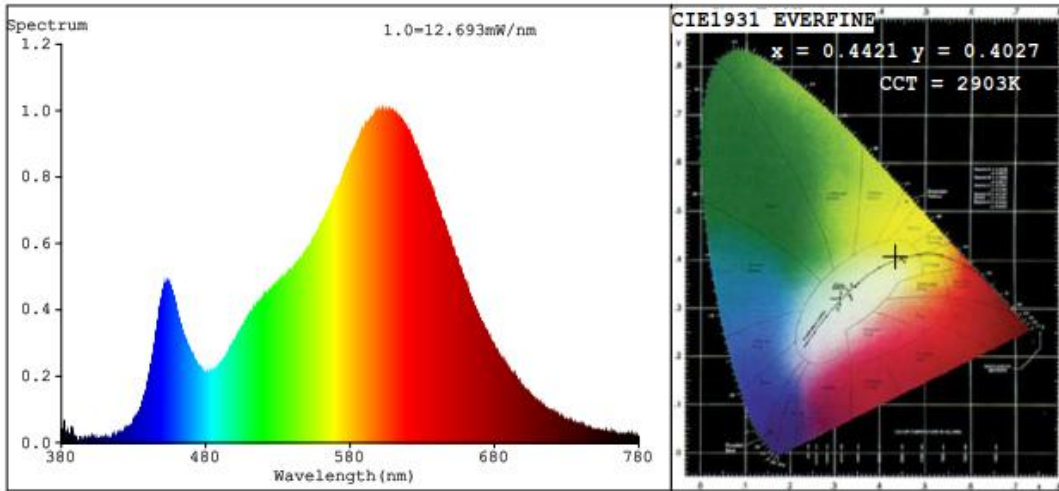
Electrical parameters :

**Power supply:** With integral driver in junction box  
**Input Voltage:** AC120V  
**Frequency Range:** 50/60Hz  
**Power Factor:** >0.96  
**LED:** Epistar COB  
**Color Temperature:** 3000K, 4000K, 5000K, 6000K  
**Color Rendering Index:** Ra > 83  
**Beam Angle:** 40° beam with 30° tilt and 360° rotation  
**Dimmable function:** 0-10V triac dimmable  
**Approved location:** Insulated ceiling & damp locations  
**Materials:** Aluminum alloy  
**Available trim:** White, brushed nickel, black  
**Working Temperature:** -20°C ~ +45°C  
**Storage Temperature:** -25°C ~ +65°C  
**IP Grade:** IP40  
**Working Life-span:** 50,000 hours  
**Warranty:** 5 years

Dimension:



Test Data



**Color Parameters:**

Chromaticity Coordinate:  $x=0.4421$   $y=0.4027$  /  $u'=0.2545$   $v'=0.5216$   
 CCT=2903K (Duv=-0.0012) Dominant WL:Ld =583.7nm Purity=53.6%  
 Ratio:R=23.7% G=73.6% B=2.6% Peak WL:Lp=607.7nm FWHM=121.2nm  
 Render Index:Ra=83.0

R1 =82	R2 =93	R3 =95	R4 =80	R5 =82	R6 =92	R7 =82
R8 =59	R9 =9	R10=83	R11=80	R12=75	R13=85	R14=98 R15=74

**Photo Parameters:**

Flux = 602.5 lm Eff. : 80.71 lm/W Fe = 1.858 W

**Electrical parameters:**

V = 120.39 V I = 0.06426 A P = 7.466 W PF = 0.9649  
 LEVEL:OUT WHITE:ANSI\_3000K

Installation

