

## LED Flood Light Spec Sheet



**NLFL-35 NLFL-50**

**35W / 50W LED Flood Light**

### Performance Summary

- ▶ Long Life Time
- ▶ Uniformed Light Distribution
- ▶ Power Consumption: 35W / 50W
- ▶ CCT: 4000K, 5000K, 5700K
- ▶ Beam Angle: 120°
- ▶ CRI: Ra>80

### Features

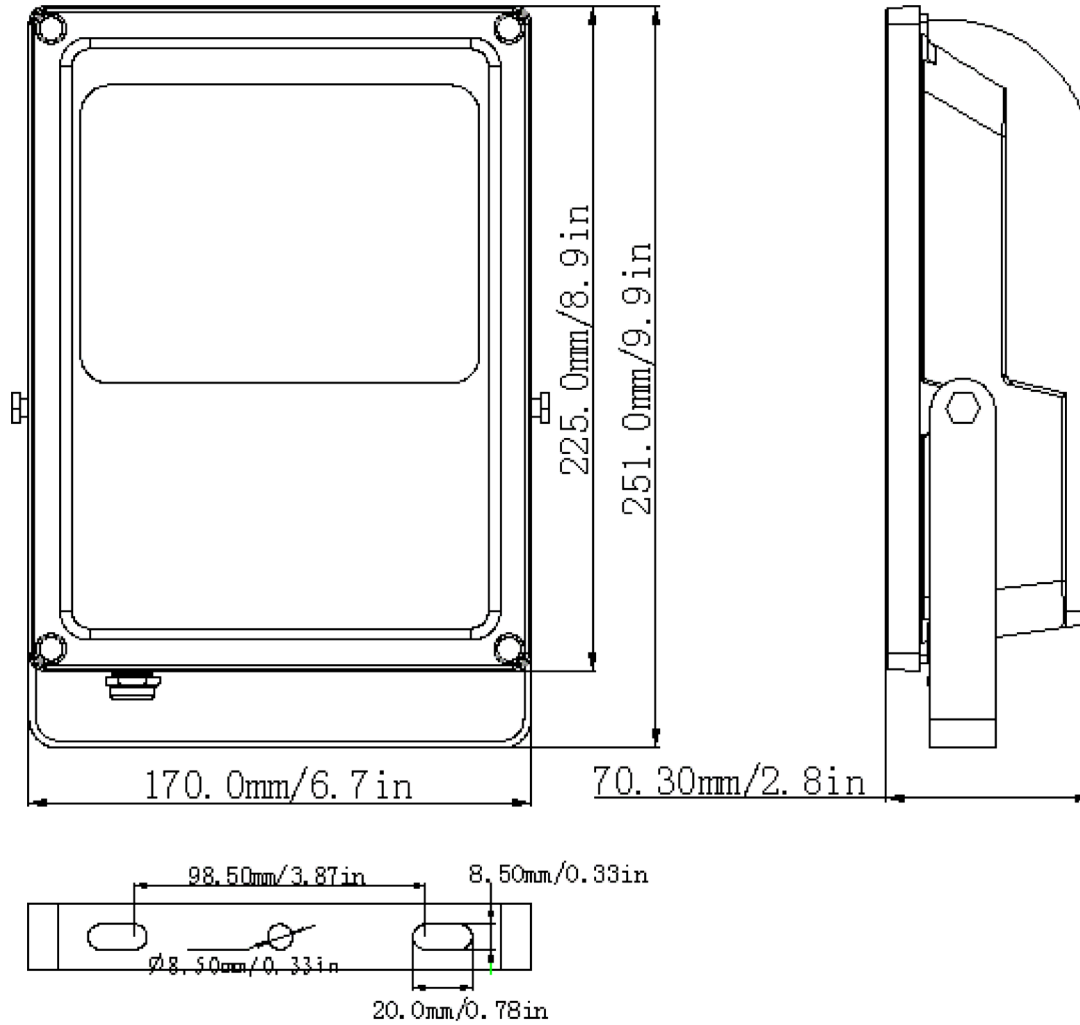
- ▶ Operate Voltage: 100-277V AC, 50/60Hz
- ▶ Life Time: 45,000 Hours
- ▶ IP Rating: IP65
- ▶ Materials: ADC12 + Glass
- ▶ Power Efficacy: 98 LPW
- ▶ Driver PF: >0.9



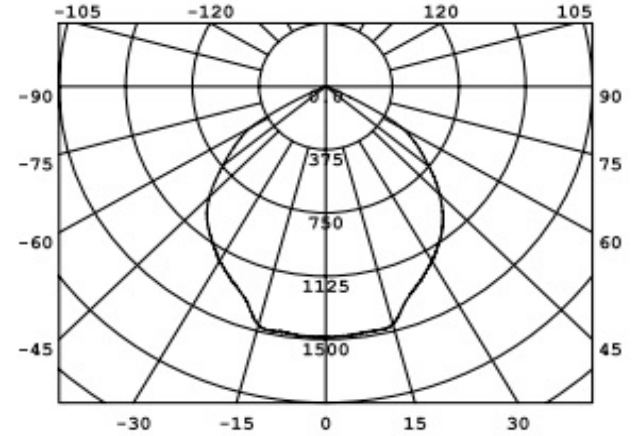
### Specifications

Item Number	NL-FL-35 / NL-FL-50	Beam Angle	120°	Operating Temp.	-40~40°C
Voltage	100-277V AC	CRI	>80Ra	Storage Temp.	-40~90°C
Wattage	50±10%	Life Time	50,000Hr	Operating Humid.	<95%Rh
Light Output	4800±10%Lm 4000K, 5000K,	Dimension	251×170×70mm	Installation	Outdoor
CCT	5700K	LED Chip	Samsung	Net Weight	1640g

Drawing



Luminance Intensity Distribution (5700K)



Cone Lux Diagram (5700K)

